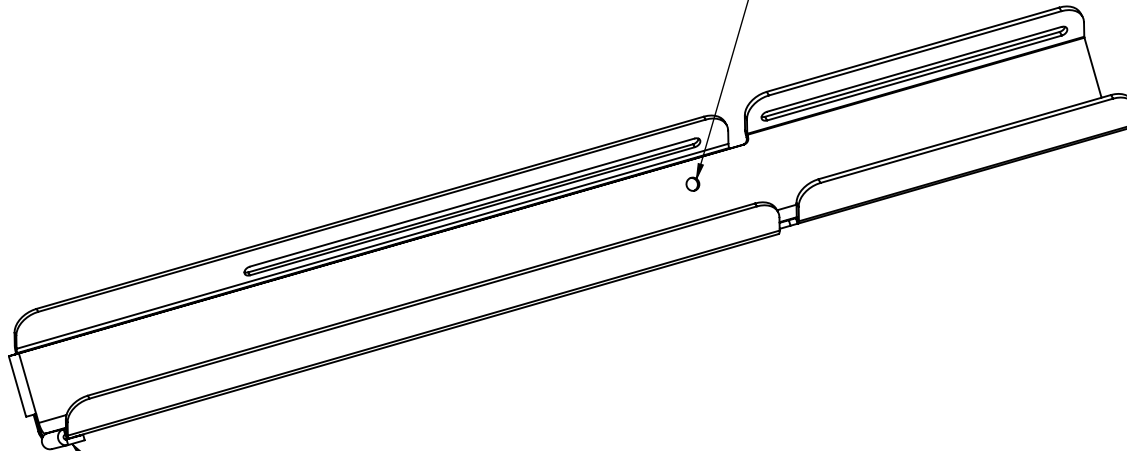


Wheel Tray Assembly Instructions

raxter
RACK YOUR BIKE

www.raxterracks.com

2. Install 1/4" screw from this side, flat washer, lock washer and nut from other side.



1. Insert extension into wheel tray. Slide extension clips over end of wheel tray as shown and tap until completely seated.

PART NUMBER: M-1121
DESCRIPTION: MANUAL, EXTENSION, TRAY